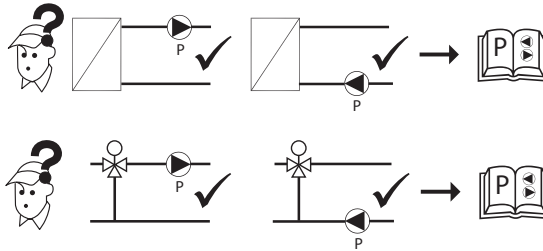
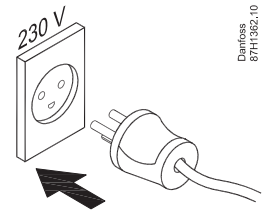
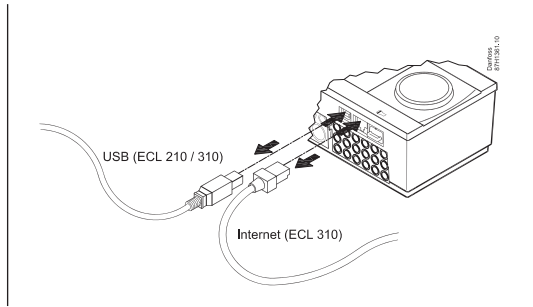
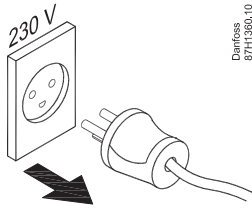


Installation Guide

ECL Comfort 210 / 296 / 310, A275 / A375 (code no. 087H3814)



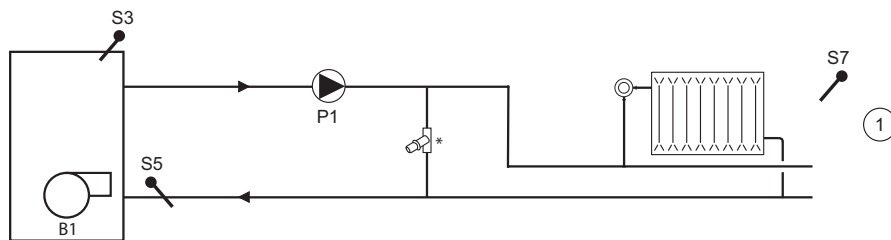
A275.1 (ex. a):



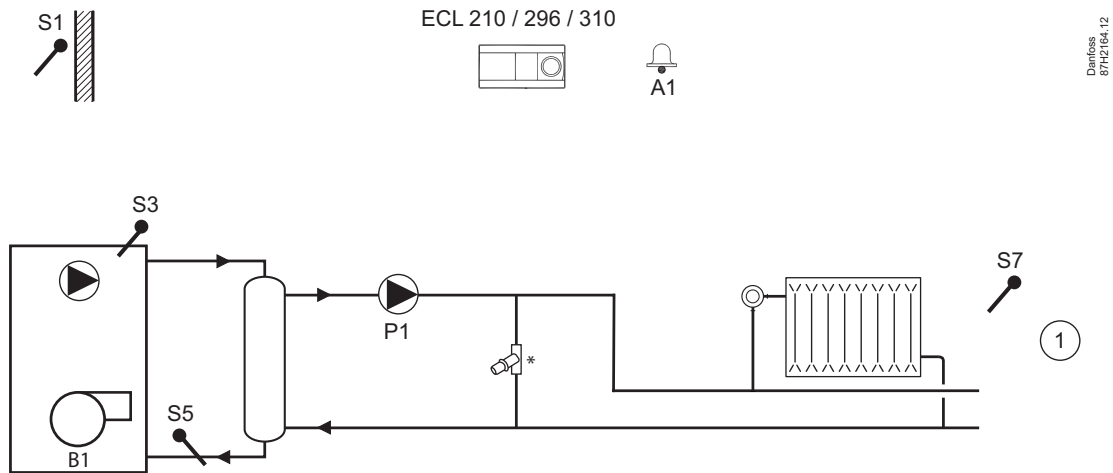
ECL 210 / 296 / 310



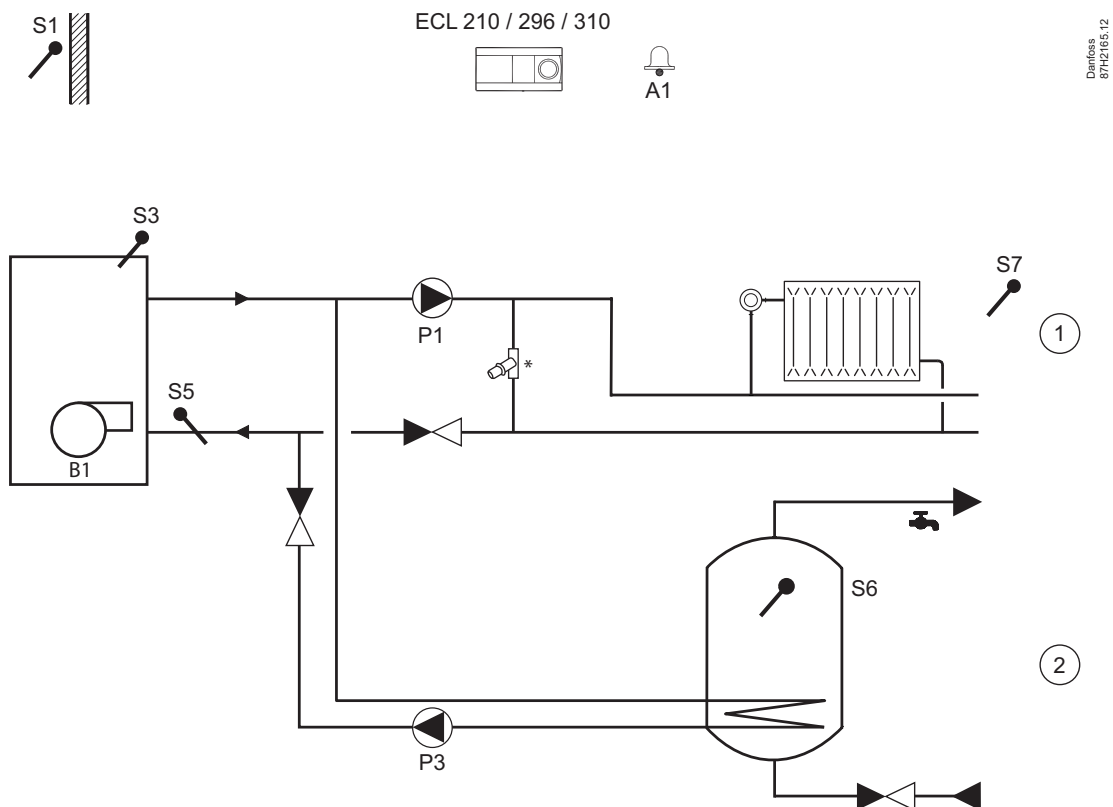
Danfoss
87H1616.3.13



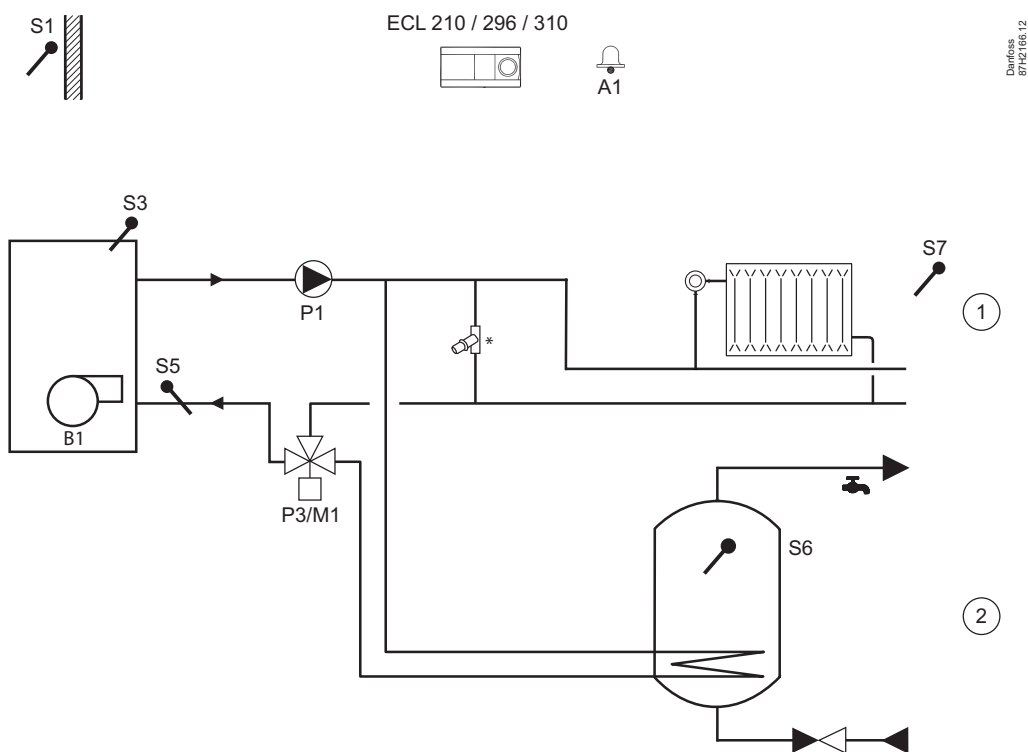
A275.1 (ex. b):



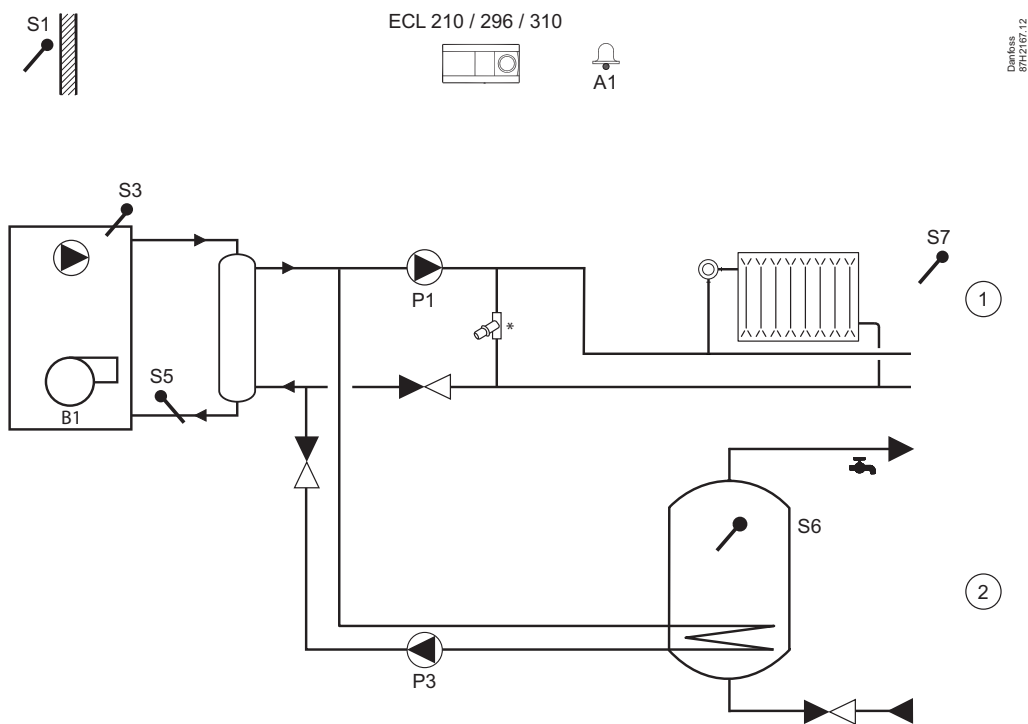
A275.2 (ex. a):



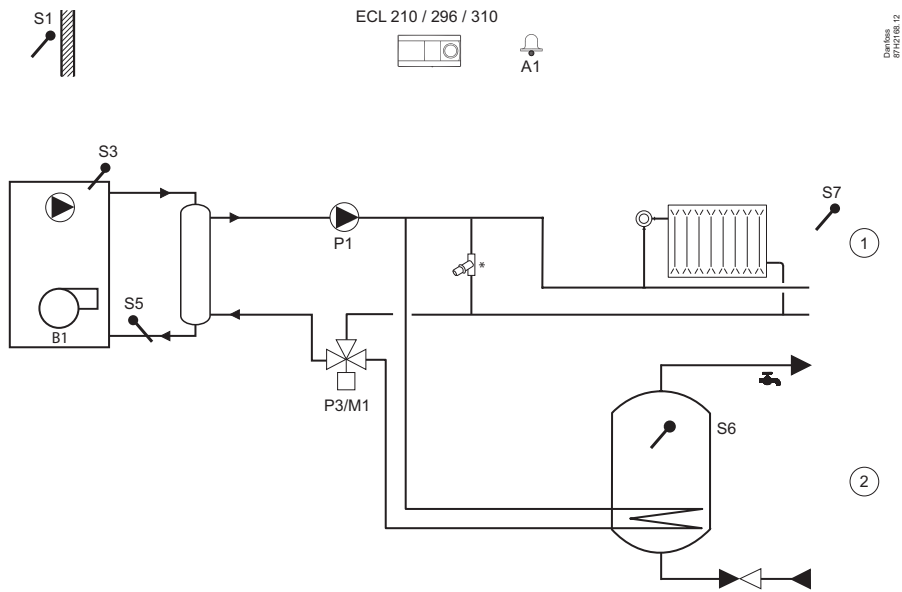
A275.2 (ex. b):



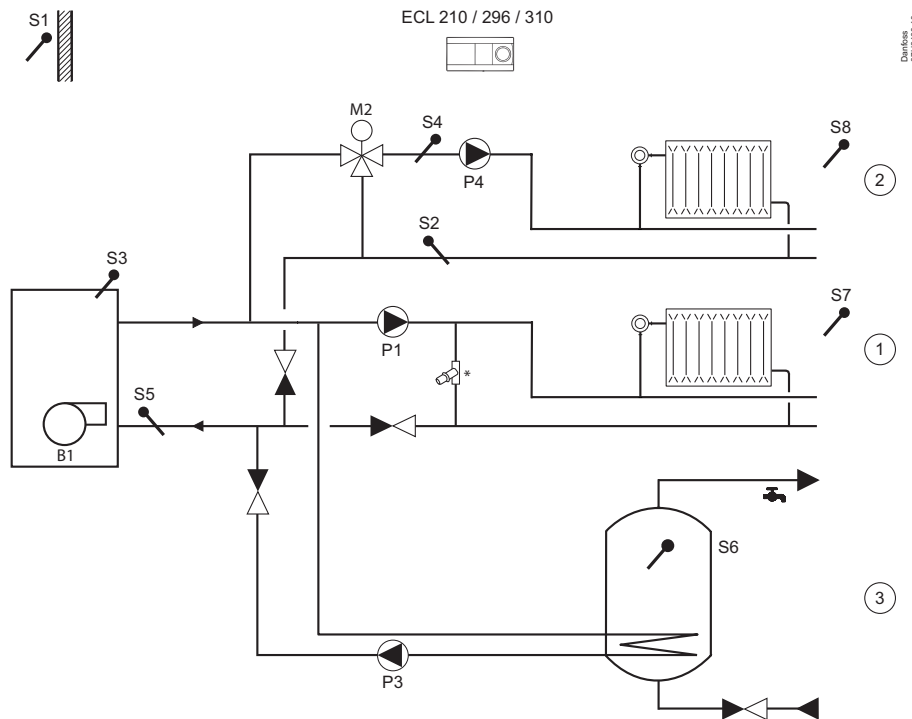
A275.2 (ex. c):



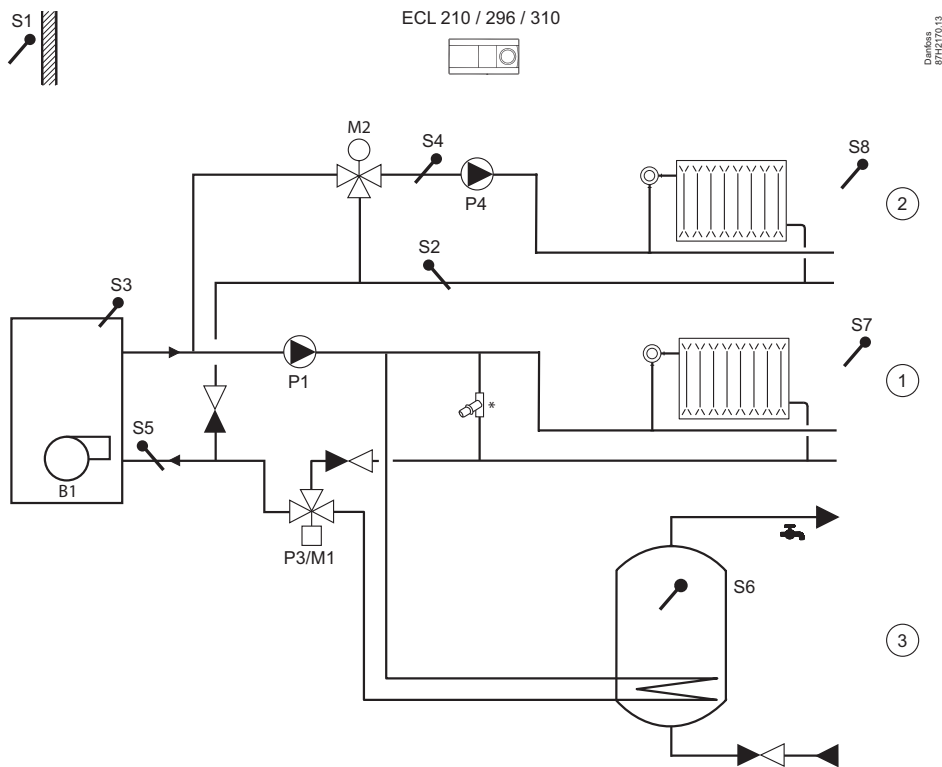
A275.2 (ex. d):



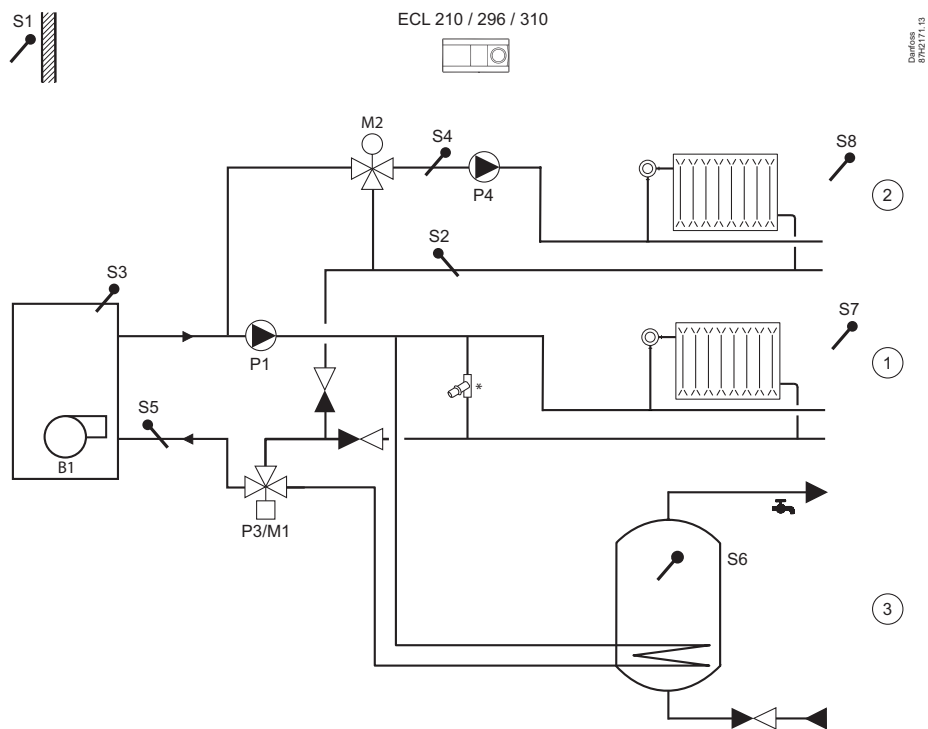
A275.3 (ex. a):



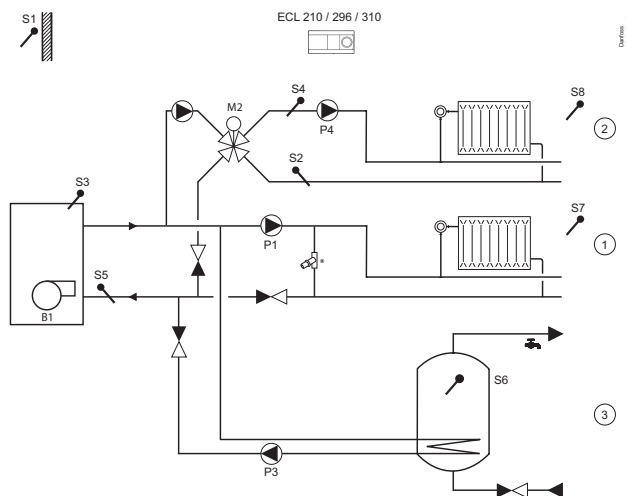
A275.3 (ex. b):



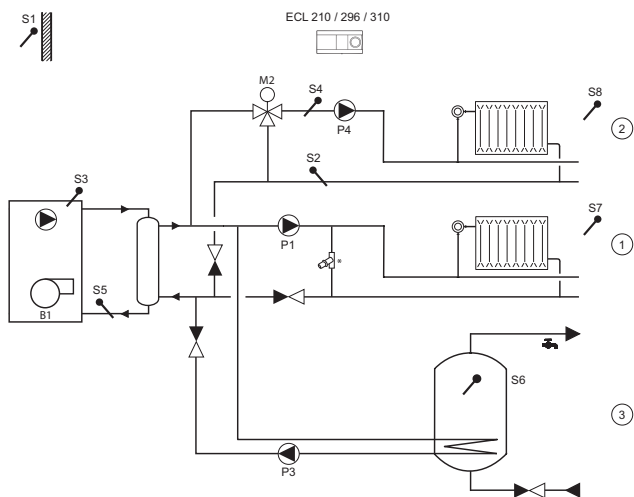
A275.3 (ex. c):



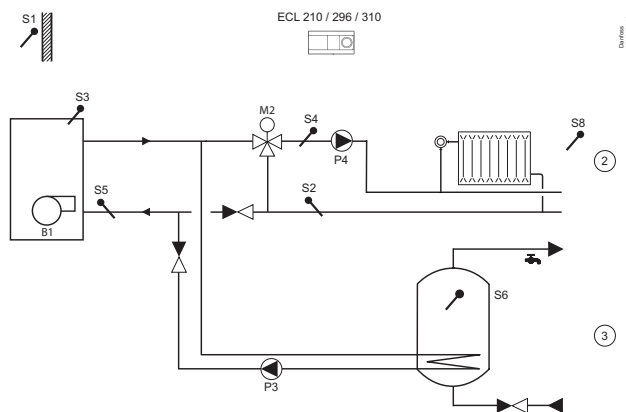
A275.3 (ex. d):



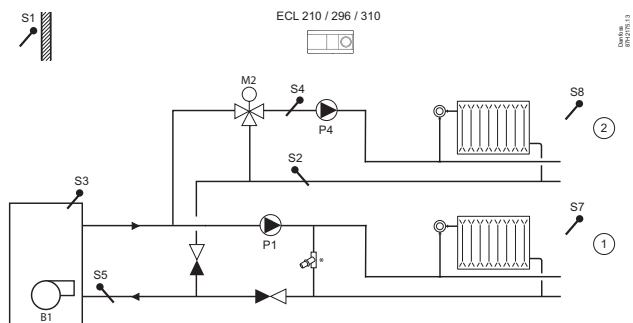
A275.3 (ex. e):



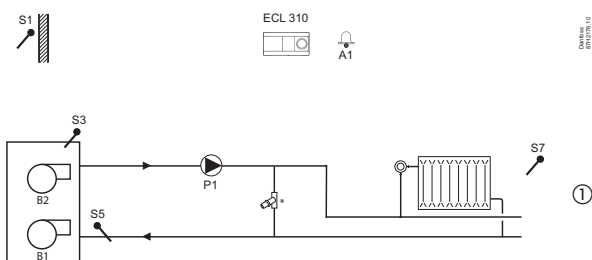
A275.3 (ex. f):



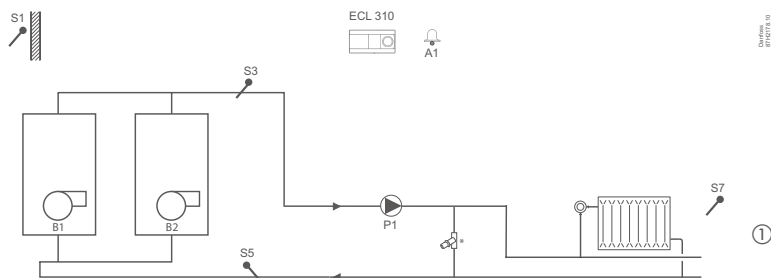
A275.3 (ex. g):



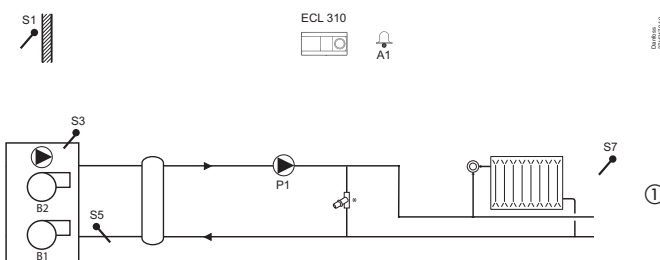
A375.1 (ex. a):



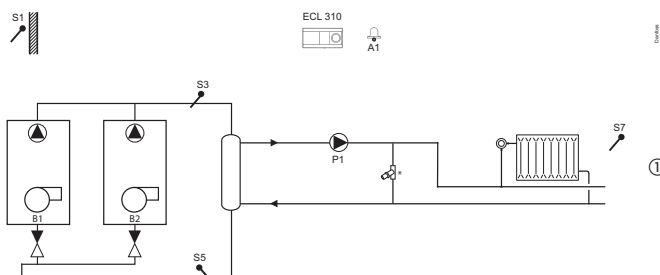
A375.1 (ex. b):



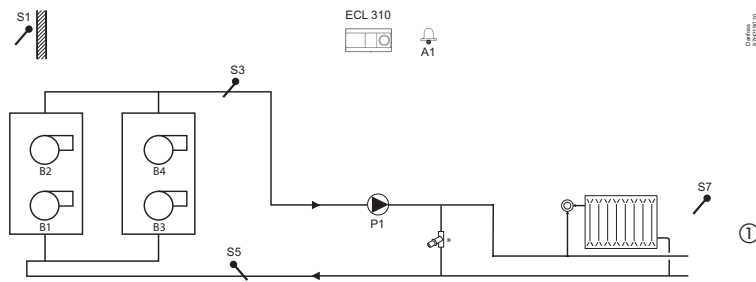
A375.1 (ex. c):



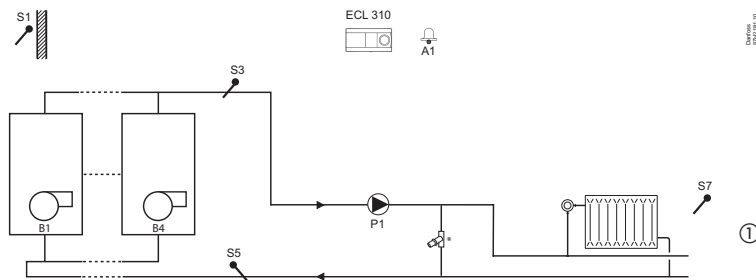
A375.1 (ex. d):



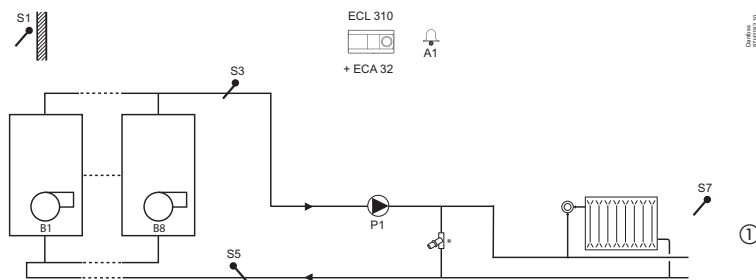
A375.1 (ex. e):



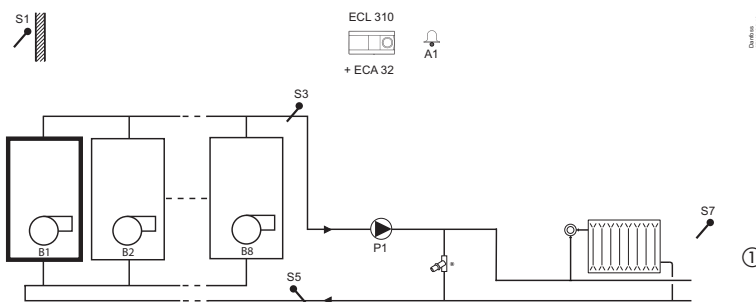
A375.1 (ex. f):



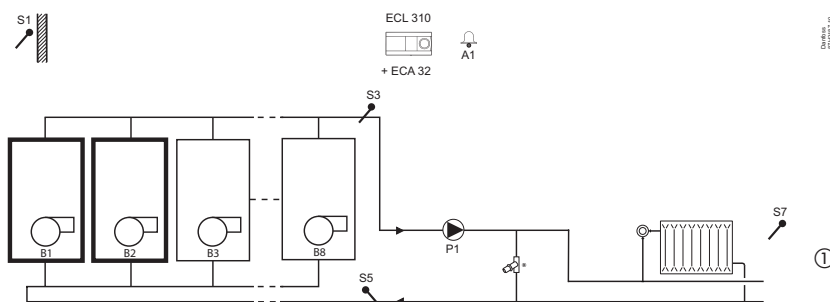
A375.1 (ex. g):



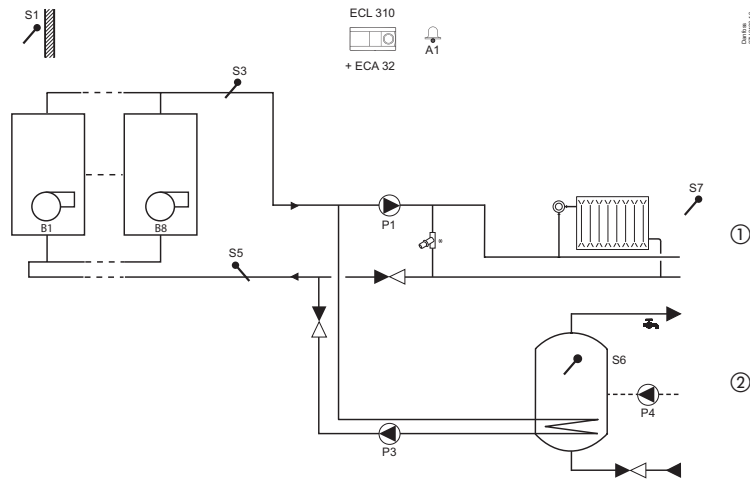
A375.1 (ex. h):



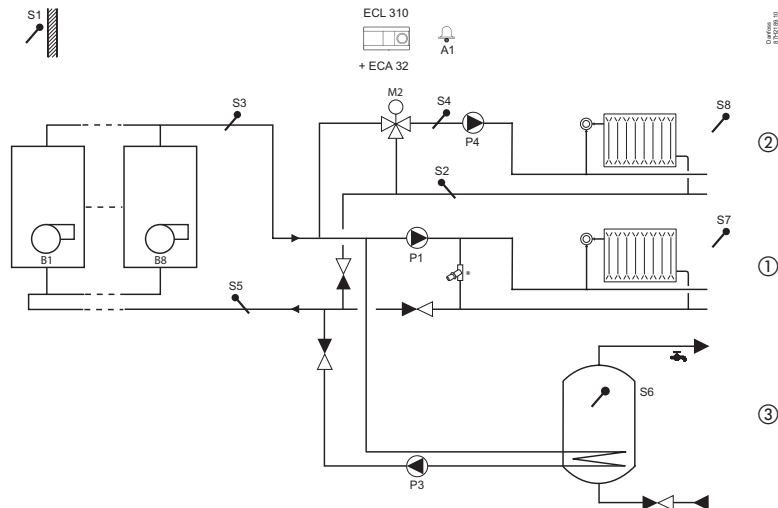
A375.1 (ex. i):



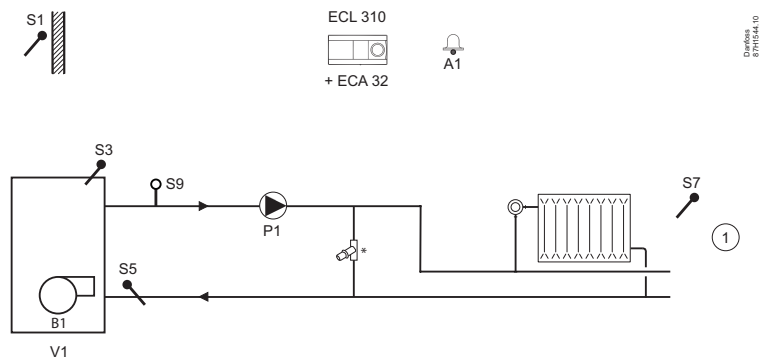
A375.2 (ex. a):



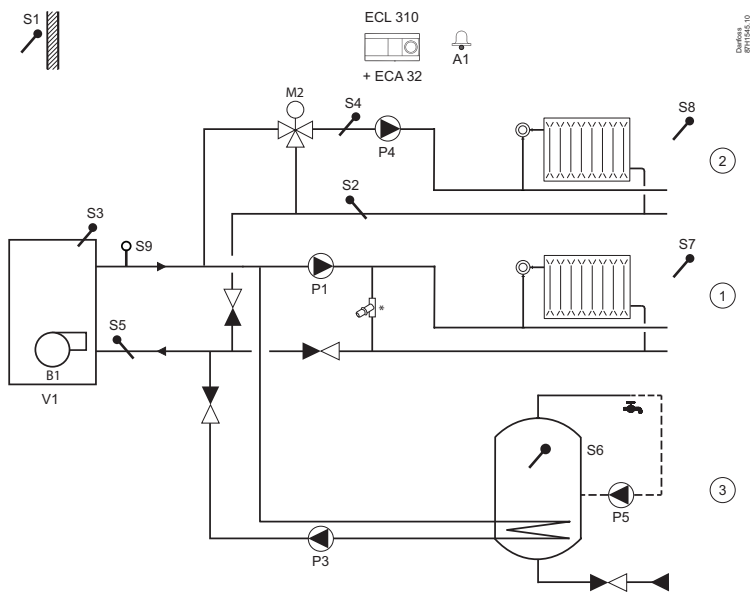
A375.3 (ex. a):



A375.4, ex. a:



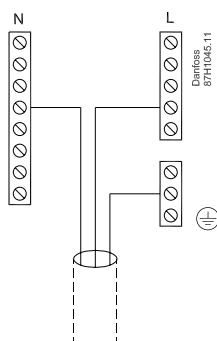
A375.5, ex. a:



ECL Comfort 210 / 310:

230 V a.c.

R		4 (2) A / 230 V a.c.
R		
Tr		0,2 A / 230 V a.c.



ECL 210, 230 V a.c.:

	3-point	
	M1	M2
A275.1		
A275.2	✓	
A275.3	✓	✓

ECL 210, 230 V a.c.:

	P1	B1	P3	P4
A275.1	✓	✓		
A275.2	✓	✓	✓	
A275.3	✓	✓	✓	✓

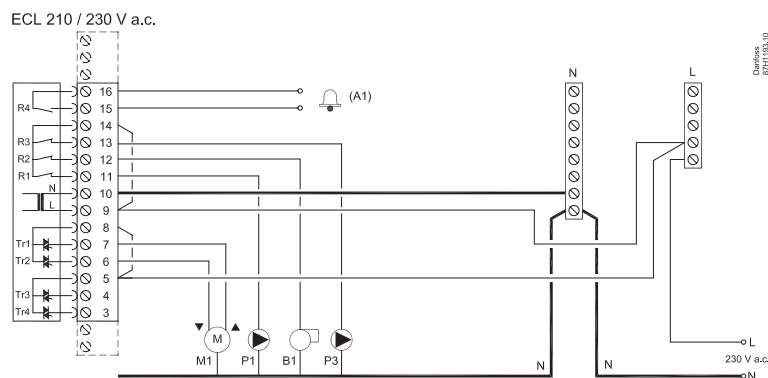
ECL 310, 230 V a.c.:

	3-point				0-10 V: (ECA 32)
	M1	M2	M3		V1
A275.1					
A275.2	✓				
A275.3	✓	✓			
A375.1					
A375.2	✓				
A375.3	✓	✓			
A375.4			✓		✓
A375.5		✓	✓		✓

ECL 310, 230 V a.c.:

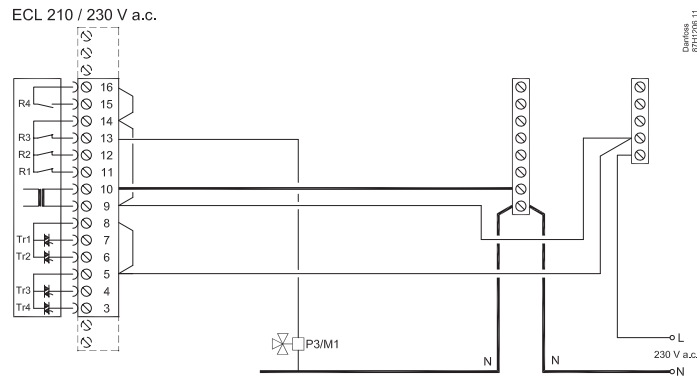
	P1	B1	P3	P4	P5
A275.1	✓	✓			
A275.2	✓	✓	✓		
A275.3	✓	✓	✓	✓	
A375.1	✓	✓			
A375.2	✓	✓	✓	✓	
A375.3	✓	✓	✓	✓	
A375.4	✓	✓			
A375.5	✓	✓	✓	✓	✓

230 V a.c. - A275.1/A275.2:

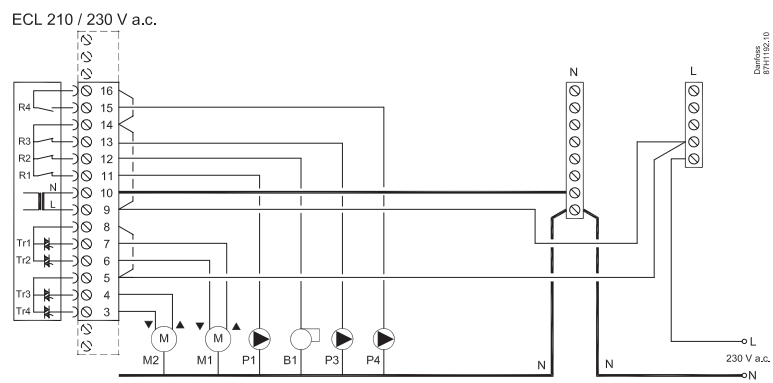


Installation Guide, ECL Comfort 210 / 296 / 310, A275 / A375

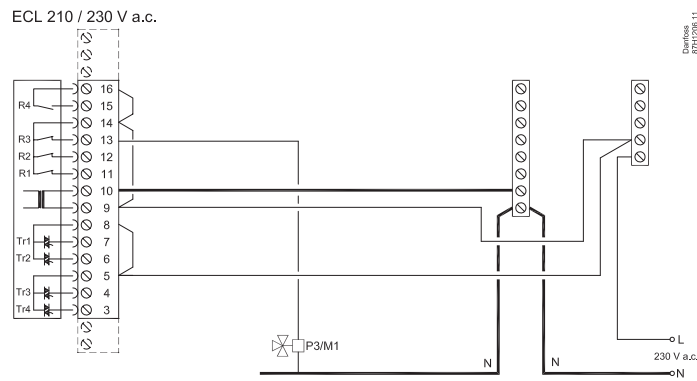
P3/M1 (A275.2):



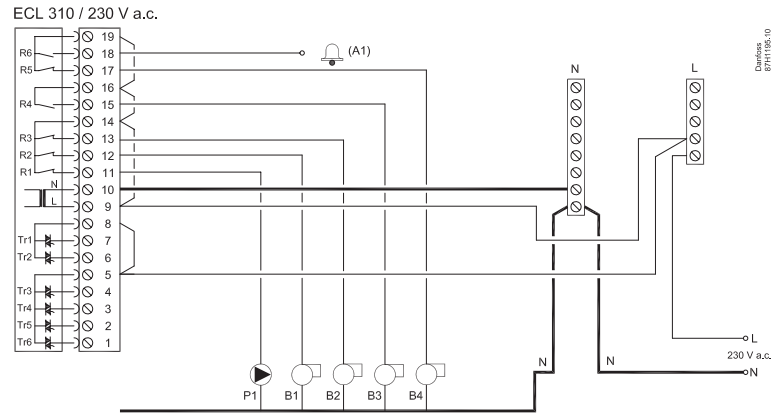
A275.3:



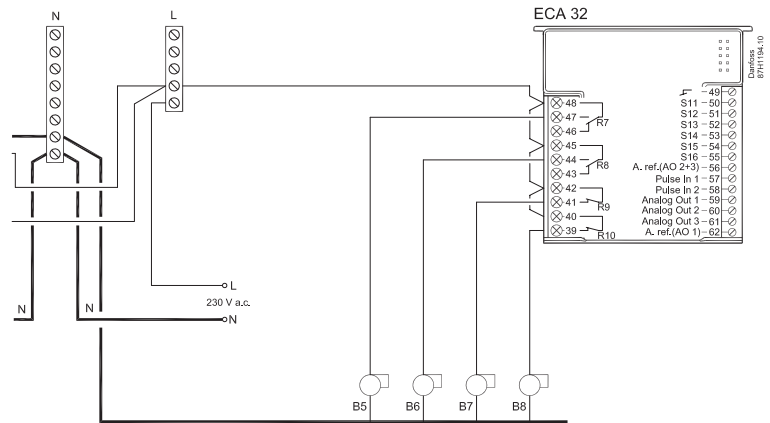
P3 / M1 (A275.3):



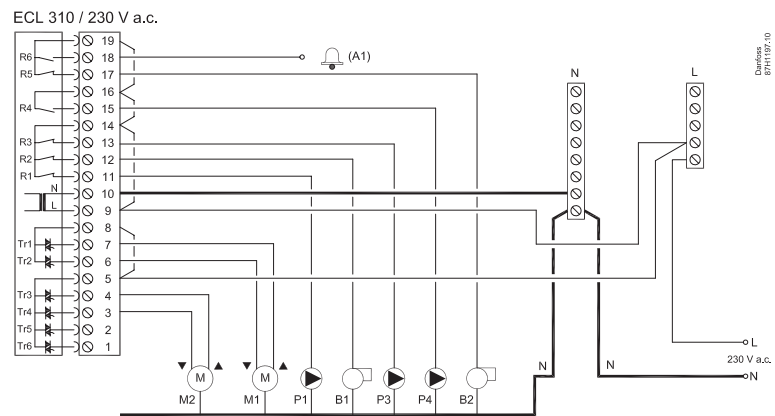
A375.1 (B1 ... B4):



A375.1 (B5 ... B8):

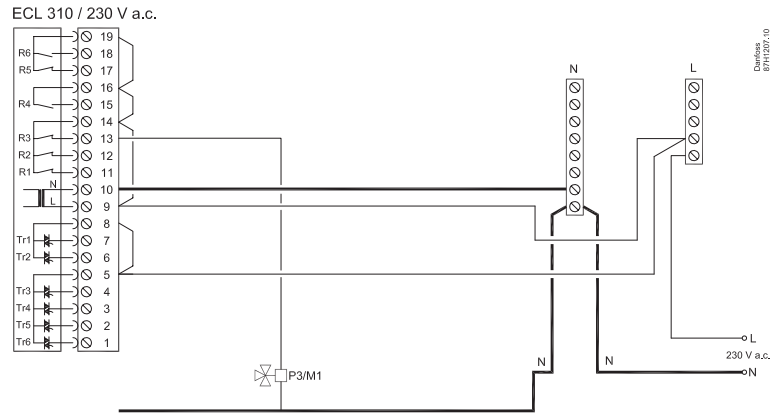


A375.2 / A375.3 (B1 ... B2):

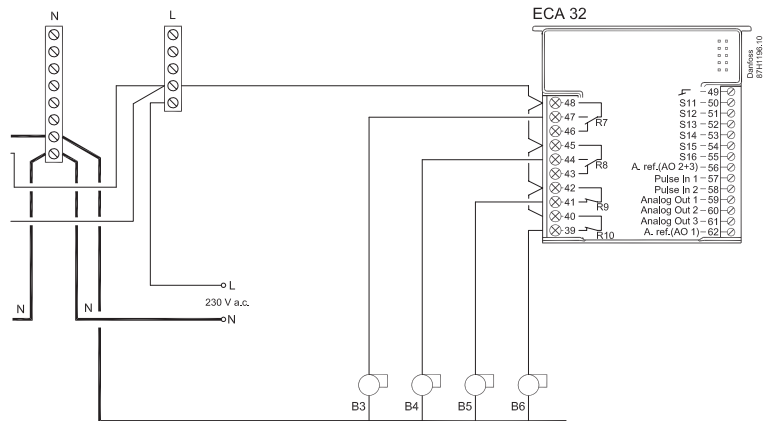


Installation Guide, ECL Comfort 210 / 296 / 310, A275 / A375

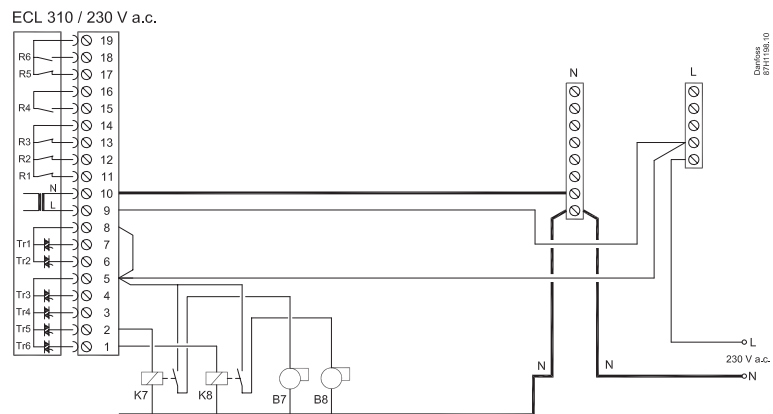
P3 / M1:



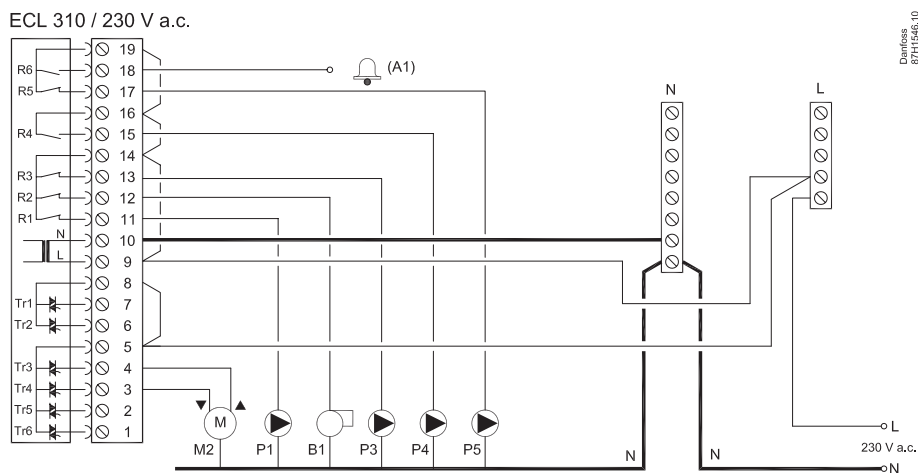
A375.2 / A375.3 (B3 ... B6):



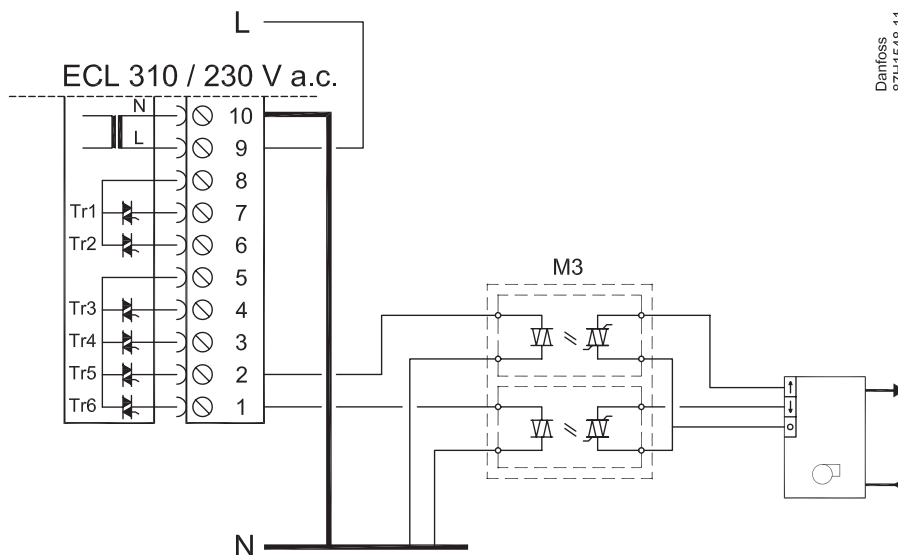
A375.2 / A375.3 (B7 ... B8):



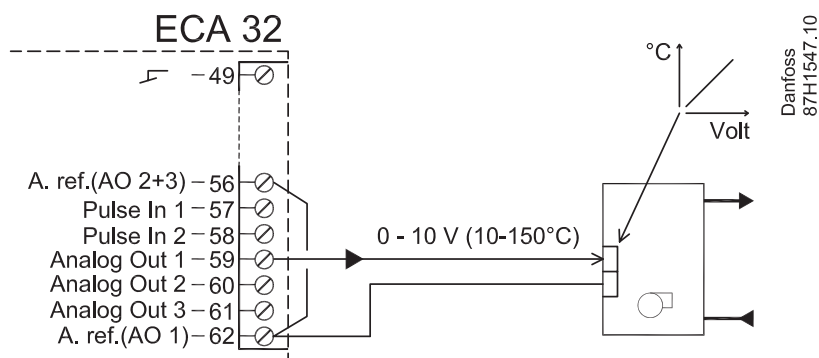
A375.4 / A375.5:



A375.4 / A375.5, Solid State relays:






A375.4 / A375.5, ECA 32:



ECL Comfort 210 / 310:

24 V a.c.

R 	4 (2) A / 24 V a.c.
R 	
Tr 	1 A / 24 V a.c.

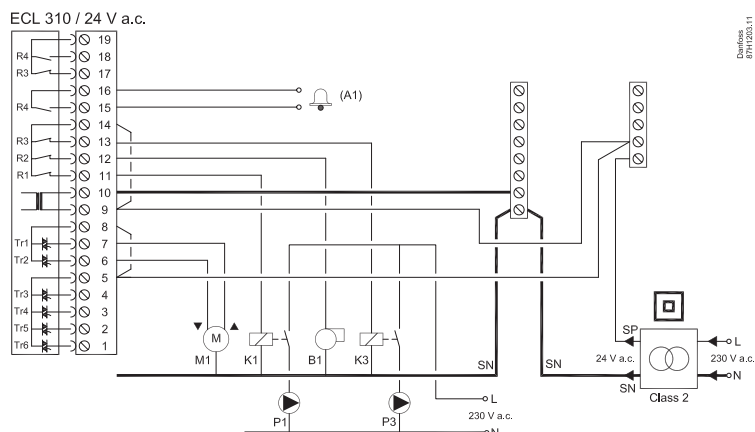
ECL 310, 24 V a.c.:

	3-point				0-10 V: (ECA 32)
	M1	M2	M3		V1
A275.1					
A275.2	✓				
A275.3	✓	✓			
A375.1					
A375.2	✓				
A375.3	✓	✓			
A375.4			✓		✓
A375.5		✓	✓		✓

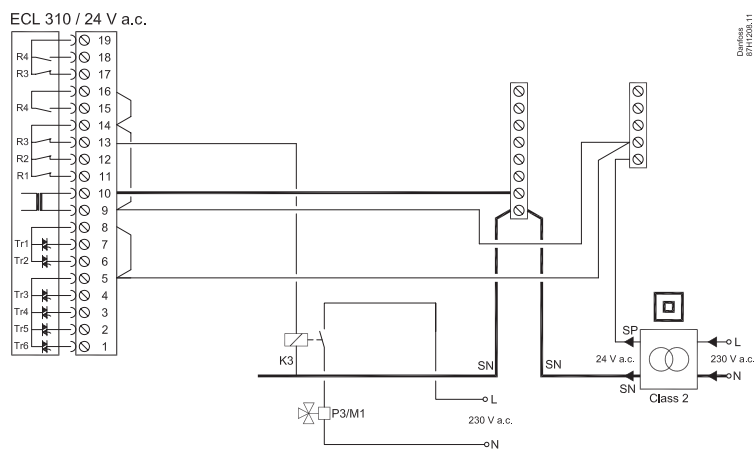
ECL 310, 24 V a.c.:

	P1	B1	P3	P4	P5
A275.1	✓	✓			
A275.2	✓	✓	✓		
A275.3	✓	✓	✓	✓	
A375.1	✓	✓			
A375.2	✓	✓	✓	✓	
A375.3	✓	✓	✓	✓	
A375.4	✓	✓			
A375.5	✓	✓	✓	✓	✓

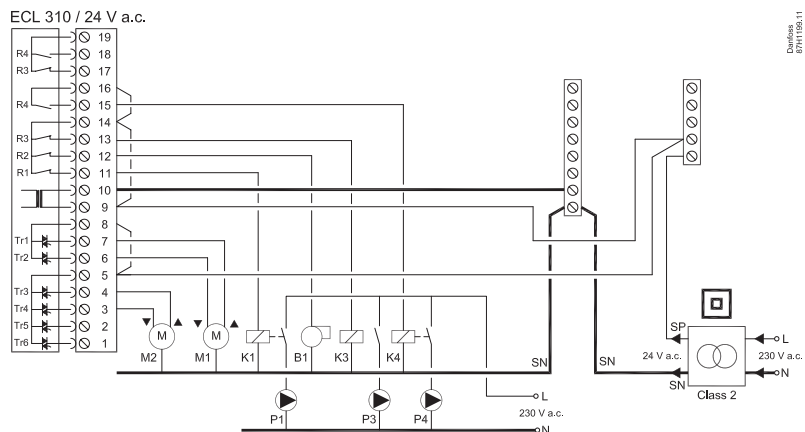
24 V a.c. - A275.1 / A275.2:



P3 / M1 - A275.2 / A275.3:

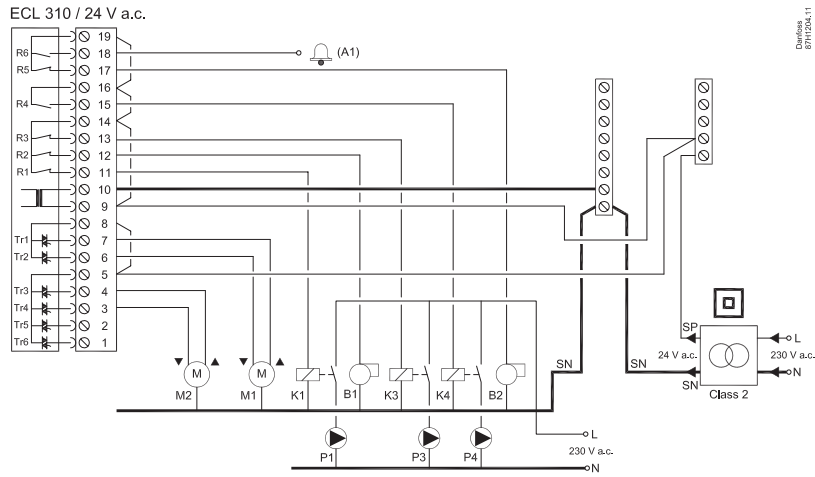


A275.3:

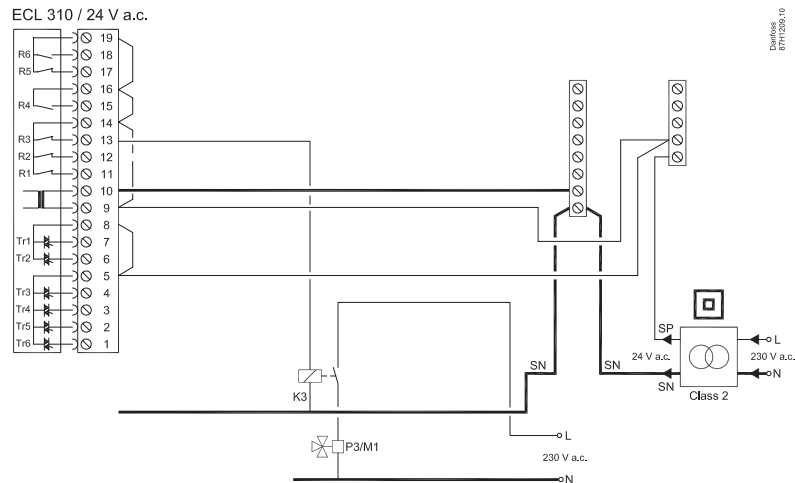


Installation Guide, ECL Comfort 210 / 296 / 310, A275 / A375

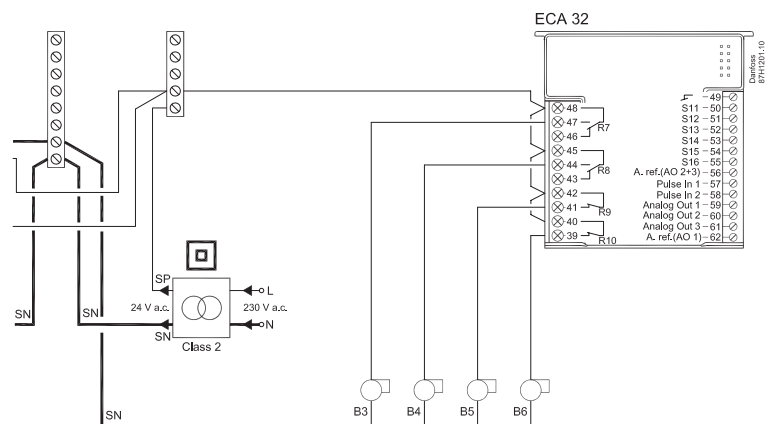
A375.2 / A375.3 (B1 ... B2):



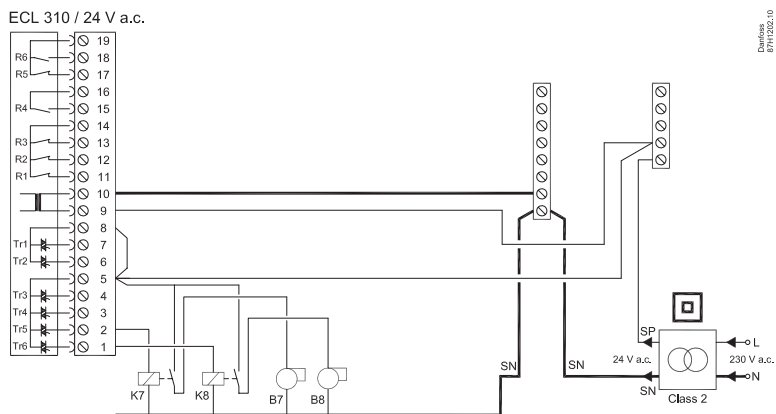
P3 / M1:



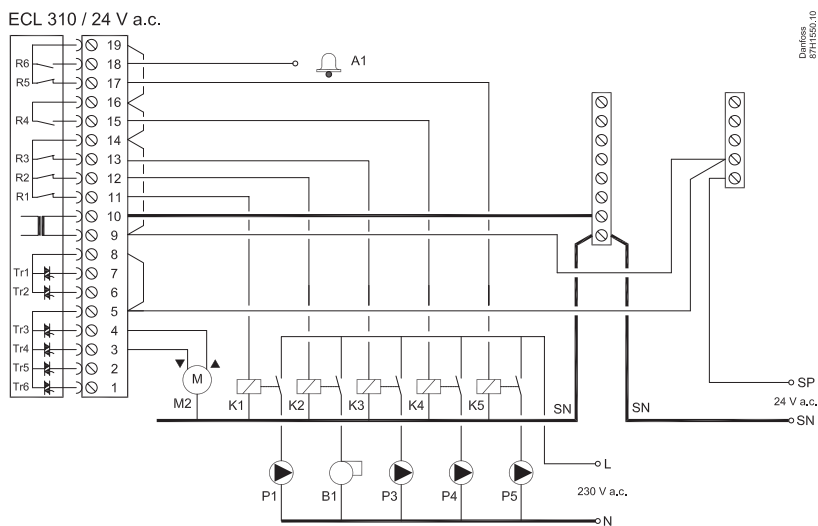
A375.2 / A375.3 (B3 ... B6):



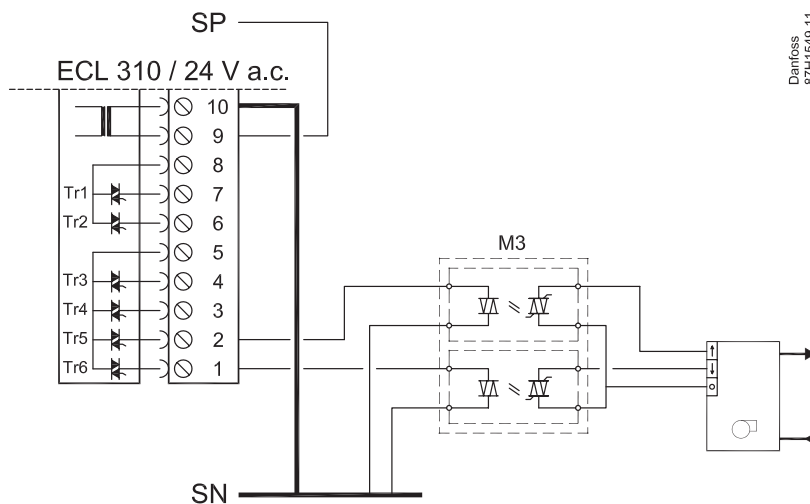
A375.2 / A375.3 (B7 ... B8):



A375.4 / A375.5:

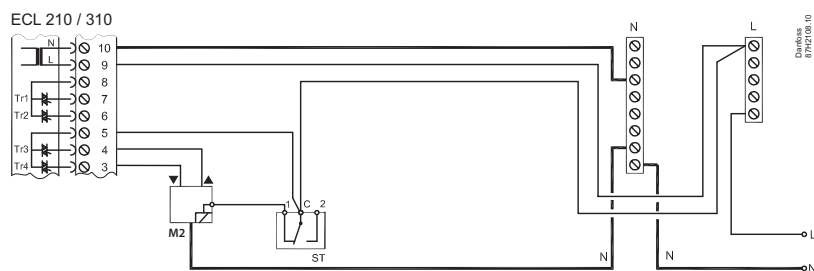
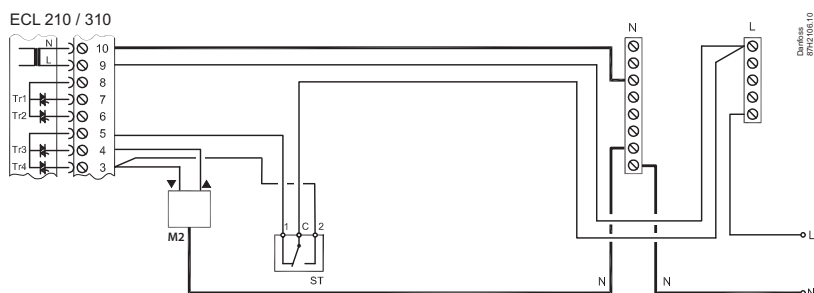
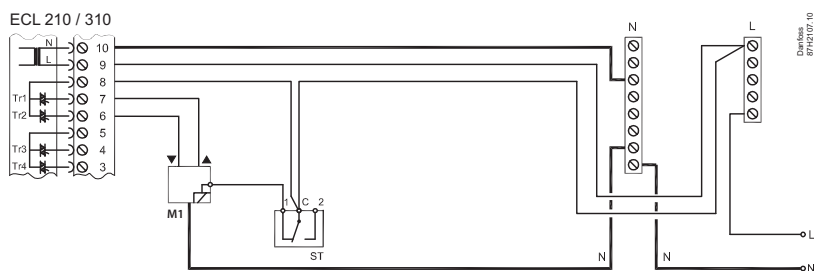
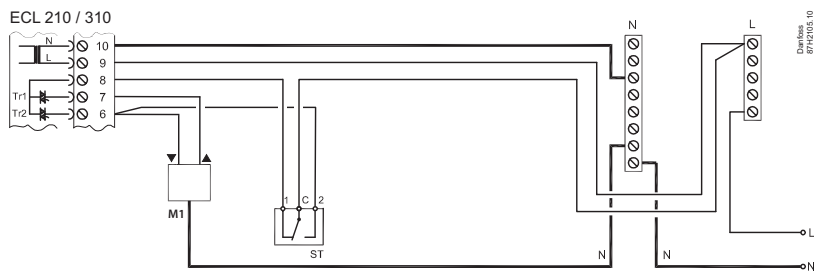


A375.4 / A375.5, Solid State relays:



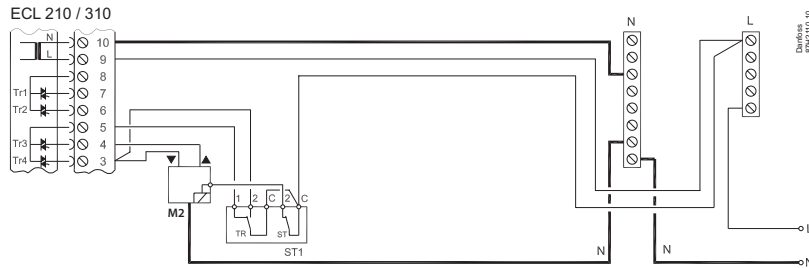
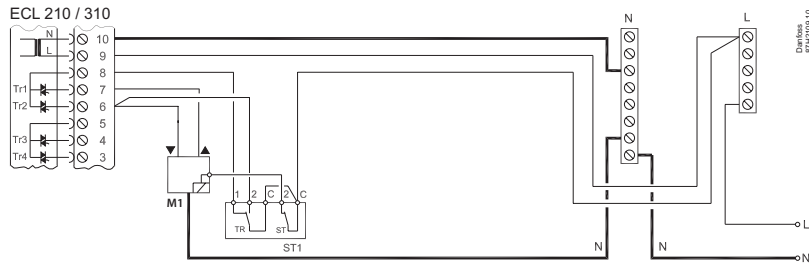
230 V a.c. / 24 V a.c. safety thermostat

1-step closing

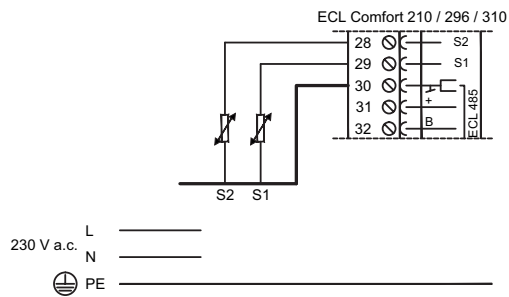
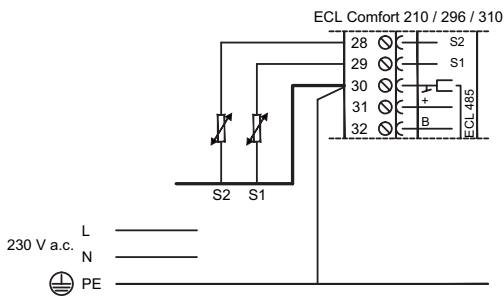


Installation Guide, ECL Comfort 210 / 296 / 310, A275 / A375

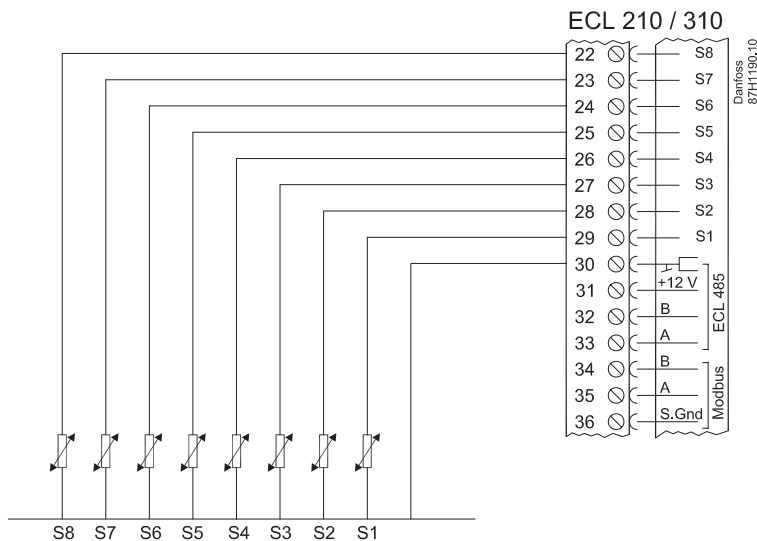
2-step closing



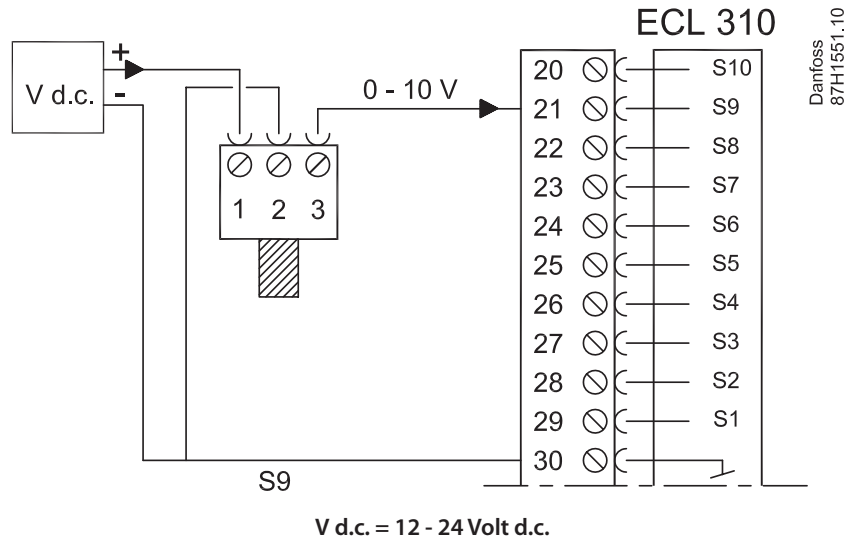
Pt 1000 (1000 Ω / 0 °C)



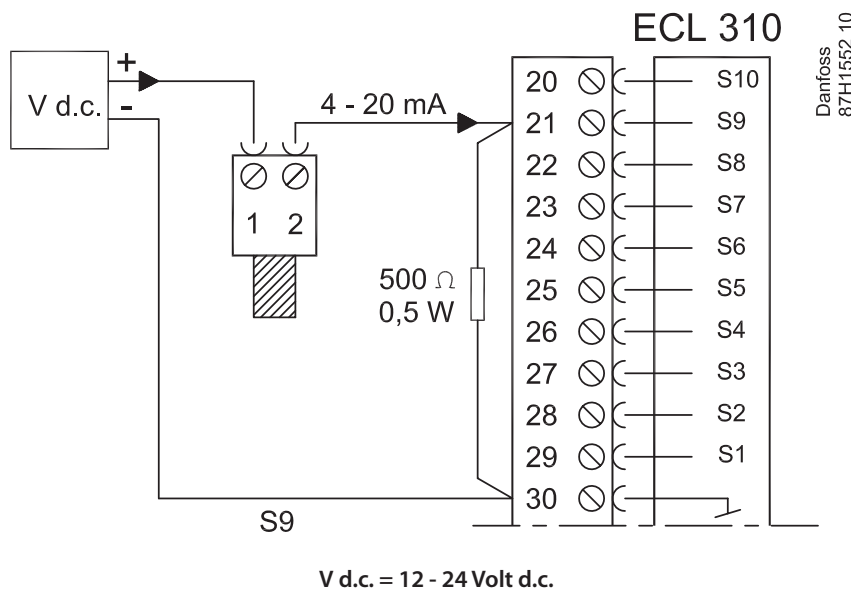
Danfoss
87H1487.11



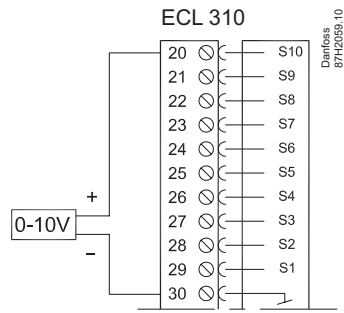
S9



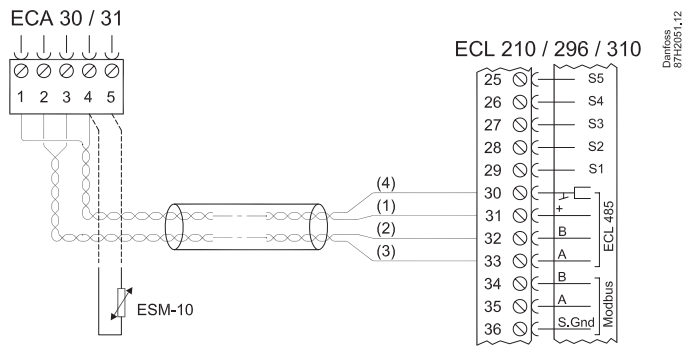
S9



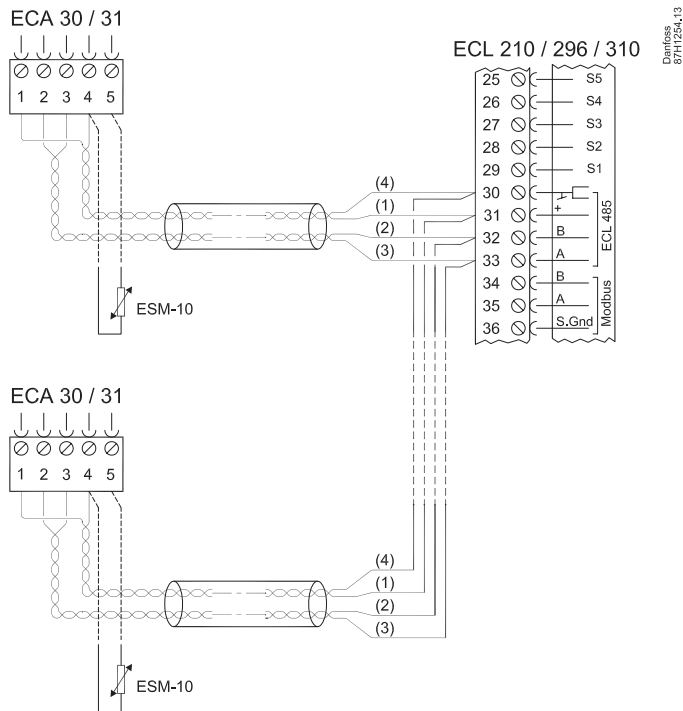
A375 (0-10 V)



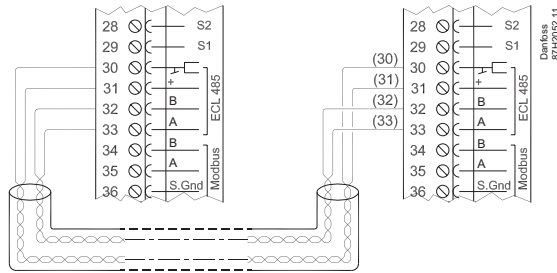
ECA 30 / 31



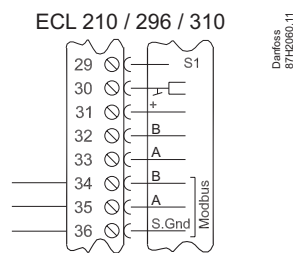
ECA 30 / 31



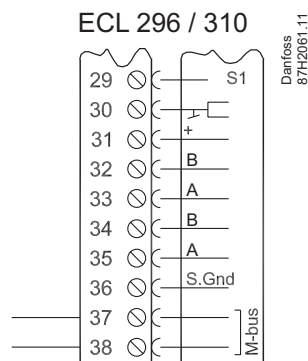
Master / slave



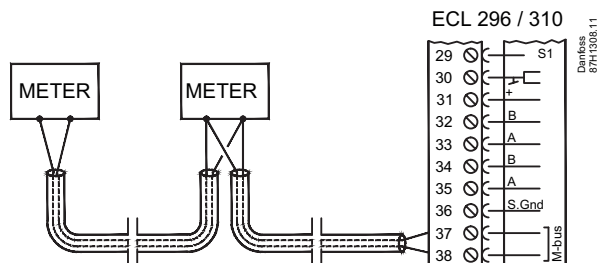
Modbus



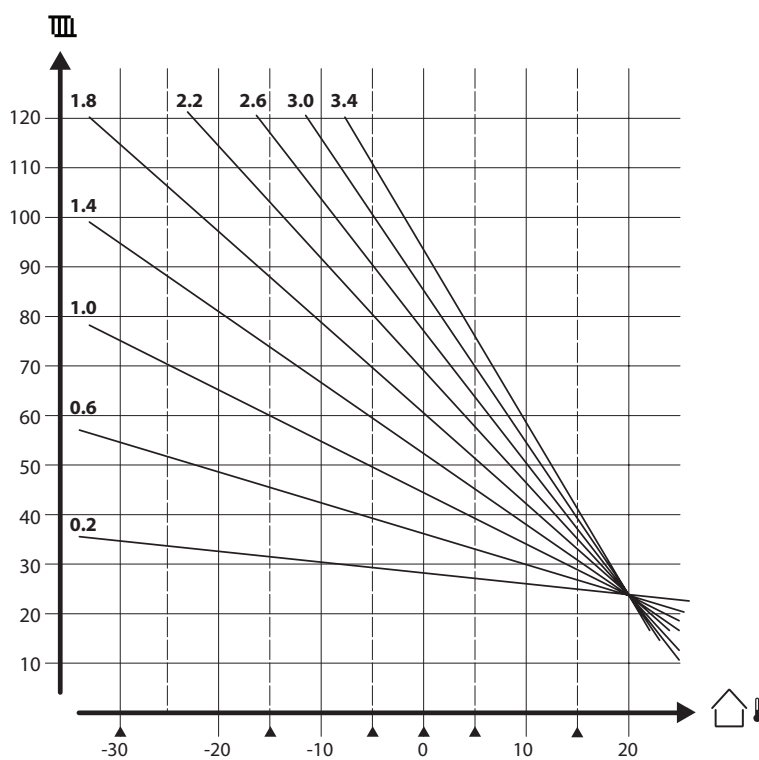
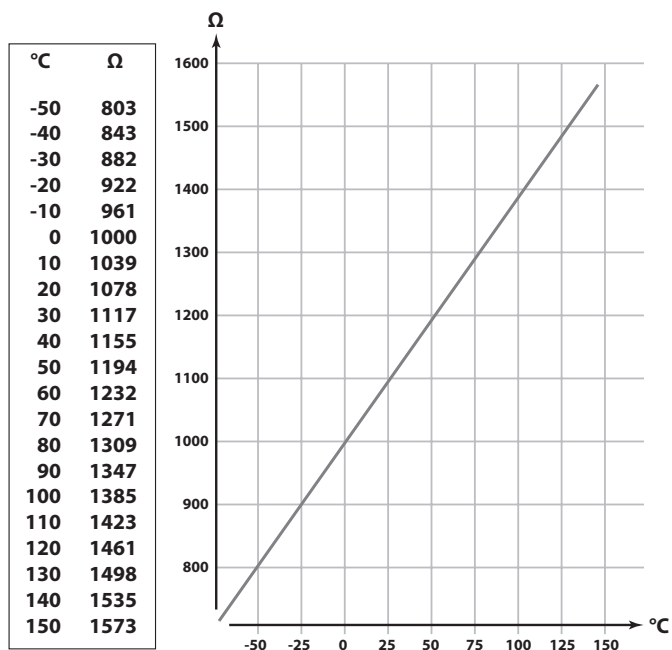
M-bus



M-bus

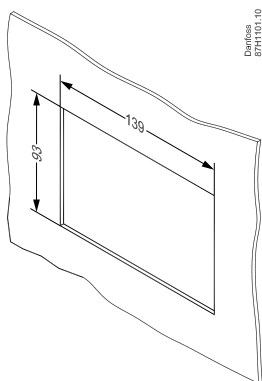


Pt 1000 (IEC 751B, 1000 Ω / 0 $^{\circ}\text{C}$)

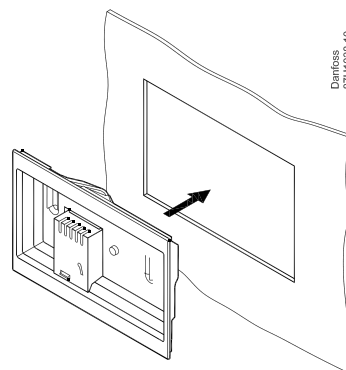


ECA 30

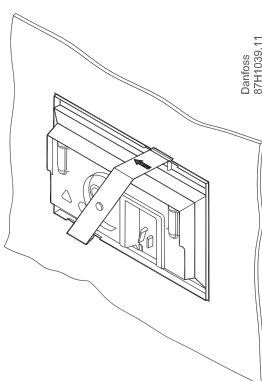
1



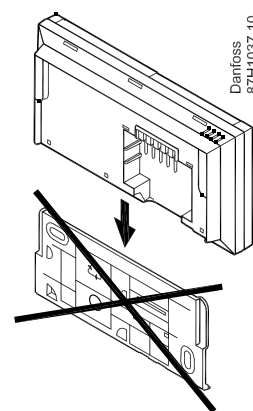
2



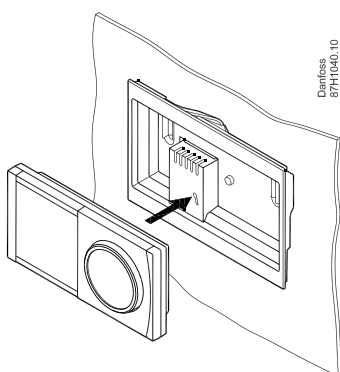
3



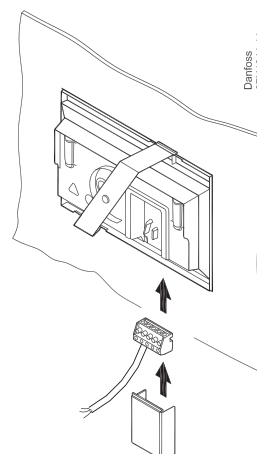
4



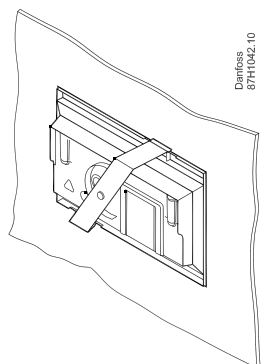
5



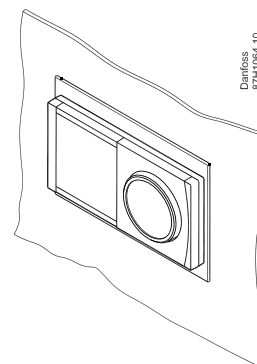
6



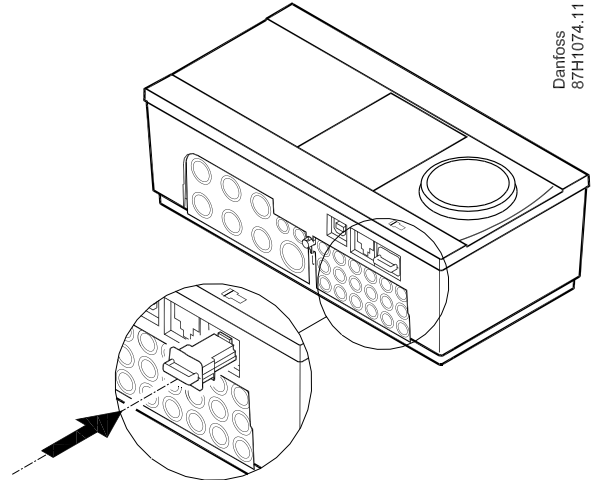
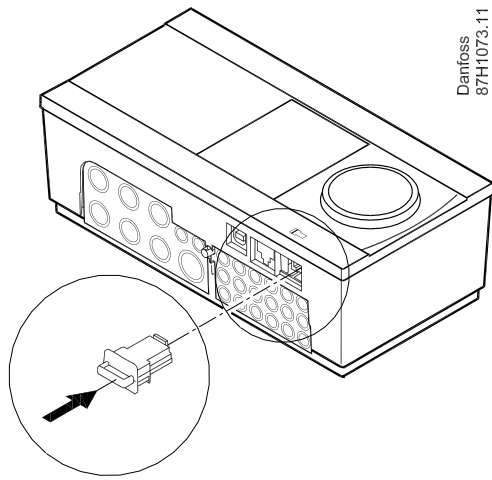
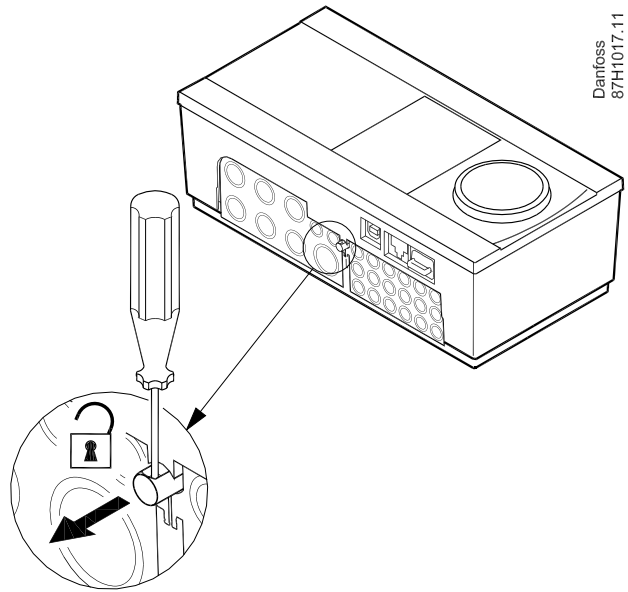
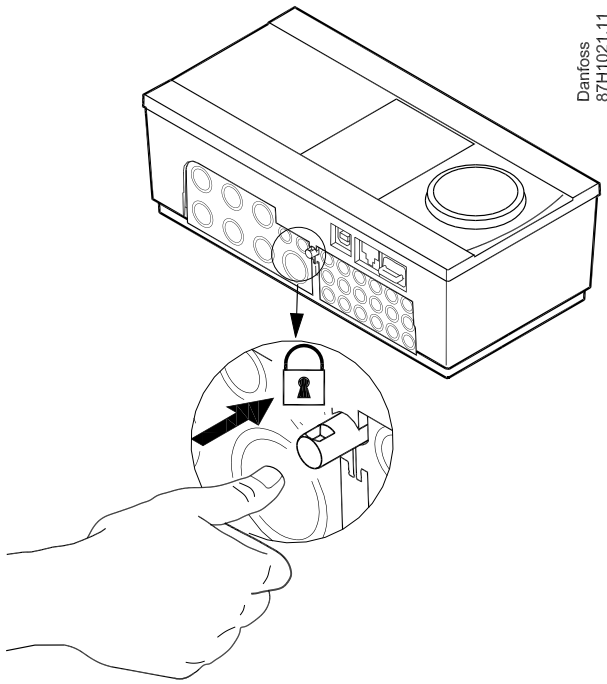
7



8



Installation Guide, ECL Comfort 210 / 296 / 310, A275 / A375



? ECL Comfort 210 / 296 / 310, A275 / A375: www.heating.danfoss.com

? <https://www.youtube.com/user/DanfossHeating>
-> Playlists -> How-to Videos -> District Energy installation videos



Danfoss A/S
Heating Segment • danfoss.com • +45 7488 2222 • E-Mail: heating@danfoss.com

Danfoss can accept no responsibility for possible errors in catalogues, brochures and other printed material. Danfoss reserves the right to alter its products without notice. This also applies to products already on order provided that such alterations can be made without subsequential changes being necessary in specifications already agreed. All trademarks in this material are property of the respective companies. Danfoss and all Danfoss logotypes are trademarks of Danfoss A/S. All rights reserved.